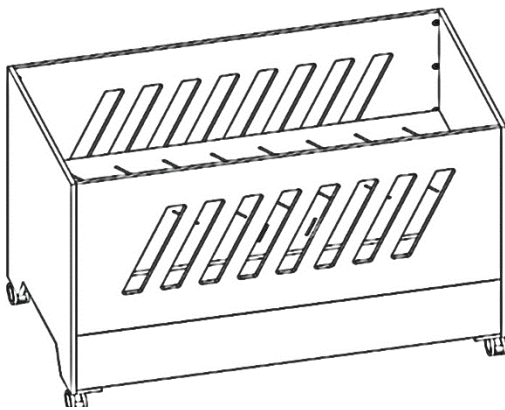


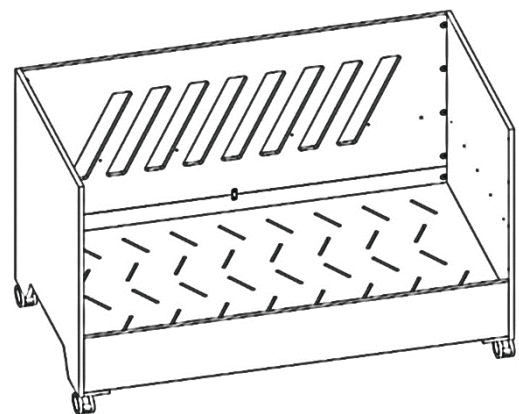
Assembly Instructions

Armia
collection



Cot Bed

1360mm(L) x 740mm(W) x 977mm(H)



Toddler Bed

1360mm(L) x 740mm(W) x 977mm(H)



IMPORTANT:

The Assembly of This Product Requires Two People

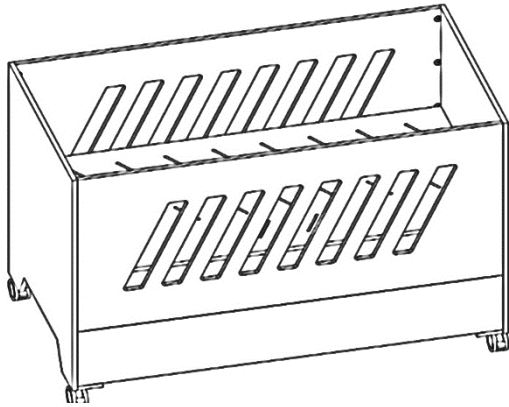
Please Read All Instructions Before Assembly and Use



Kids Home Fashion P/L | ABN: 65 654 657 539 | Email: info@kidshomefashion.com

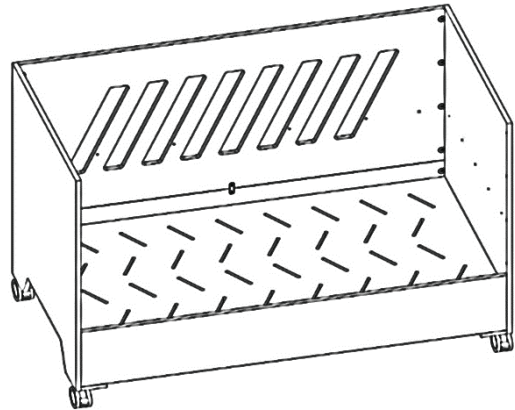
This document is a strictly confidential communication to and solely for the use of the recipient and may not be reproduced or circulated without Kids Home Fashion P/L prior written consent. If you are not the intended recipient, you may not disclose or use the information in this documentation in any way. Products carry Patent and Registered Designs Rights. Under Australian Provisional Application No. 2022901149, Australian Registered Design No. 202212515 and Australian Registered Design No. 202212516.

www.kidshomefashion.com



Cot Bed

1360mm(L) x 740mm(W) x 977mm(H)



Toddler Bed

1360mm(L) x 740mm(W) x 977mm(H)

WARNING

- Please follow all Manufacturer's Instructions
- Never Leave child unattended
- This assembly will require two people
- Recommend not to use screw gun or impact driver
- Please use a handheld Phillips head screwdriver
- All screws and cams are tightened and then checked after 2 months
- Mattress must not exceed the thickness of 120mm or stacked on top to make higher
- Mattress recommended size of 1300mm long x 690mm wide and 120mm
- When child can stand, please lower bed base to the lower position
- Toddler position please lock all brakes on the castors of the bed or take them off
- Meets Australian Standards AS/NZS 2172:2003
- All stains and finishes are non-toxic and in compliance with AS/NZS:2172 2013.

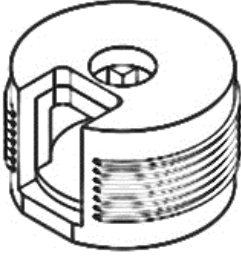


Kids Home Fashion P/L | ABN: 65 654 657 539 | Email: info@kidshomefashion.com

This document is a strictly confidential communication to and solely for the use of the recipient and may not be reproduced or circulated without Kids Home Fashion P/L prior written consent. If you are not the intended recipient, you may not disclose or use the information in this documentation in any way. Products carry Patent and Registered Designs Rights. Under Australian Provisional Application No. 2022901149, Australian Registered Design No. 202212515 and Australian Registered Design No. 202212516.

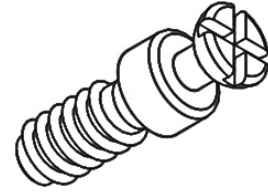
HARDWARE LIST:

Please check items are correct. Tick in the box supplied



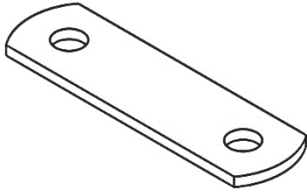
(A)- Plastic Cams 20mm (Fitted in components)

Qty: NIL



(B)-Connecting Dowel 20mm

Qty: 84



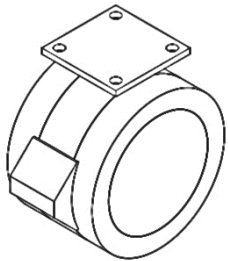
(D)-Fixing Plate 42mm x 12mm

Qty: 2



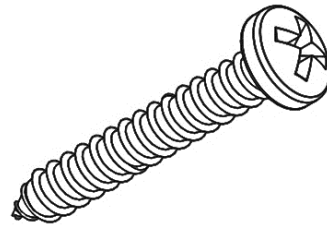
(F)- Pan Head screw 12mm

Qty: 4



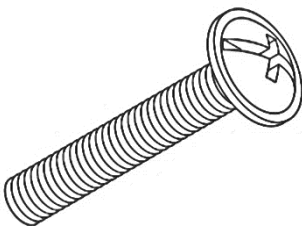
(C)-Castor with Brake 75mm Ø

Qty: 4



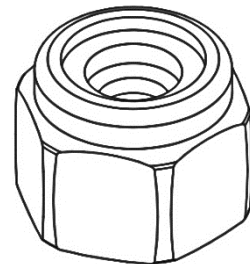
(E)-Pan Head screw 50mm

Qty: 8



(F)-Flat Head M4 screw 22mm

Qty: 8



(G)-Lock Nut Nylon M4

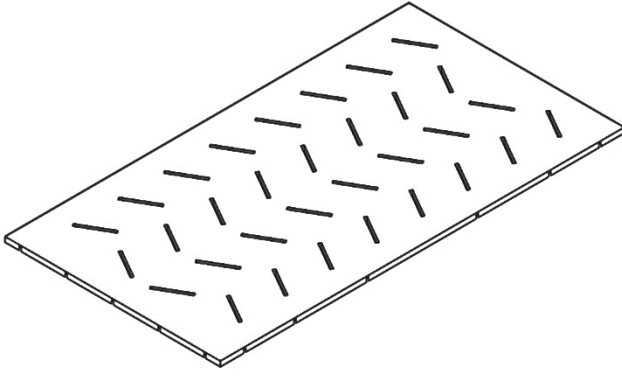
Qty: 8



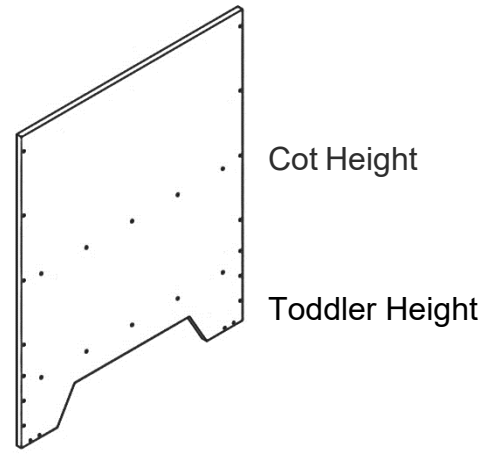
Kids Home Fashion P/L | ABN: 65 654 657 539 | Email: info@kidshomefashion.com

This document is a strictly confidential communication to and solely for the use of the recipient and may not be reproduced or circulated without Kids Home Fashion P/L prior written consent. If you are not the intended recipient, you may not disclose or use the information in this documentation in any way. Products carry Patent and Registered Designs Rights. Under Australian Provisional Application No. 2022901149, Australian Registered Design No. 202212515 and Australian Registered Design No. 202212516.

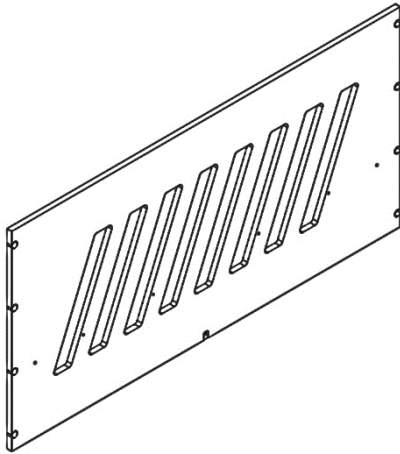
COMPONENTS PARTS:



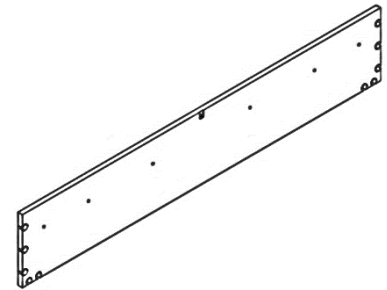
① - Cot & Toddler Bed Base
Qty: 1



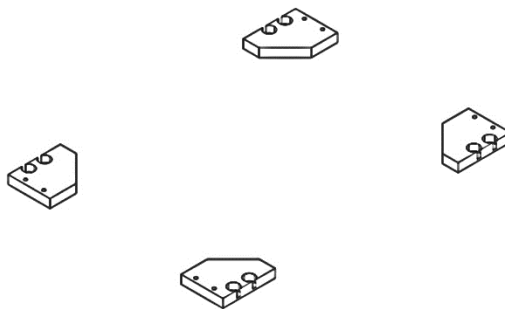
② - Cot & Toddler Bed Ends
Qty: 2



③ - Cot Sides
Qty: 2



④ - Toddler Side Rails
Qty: 2



⑤ - Cot & Toddler Castor Base Plates
Qty- 2 LH 2 RH



Kids Home Fashion P/L | ABN: 65 654 657 539 | Email: info@kidshomefashion.com

This document is a strictly confidential communication to and solely for the use of the recipient and may not be reproduced or circulated without Kids Home Fashion P/L prior written consent. If you are not the intended recipient, you may not disclose or use the information in this documentation in any way. Products carry Patent and Registered Designs Rights. Under Australian Provisional Application No. 2022901149, Australian Registered Design No. 202212515 and Australian Registered Design No. 202212516.

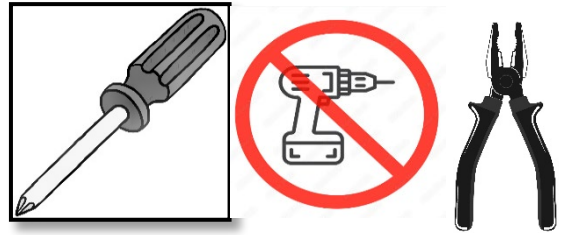
WARNING

Assembly Tips for Hardware:

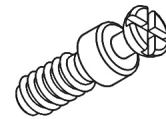
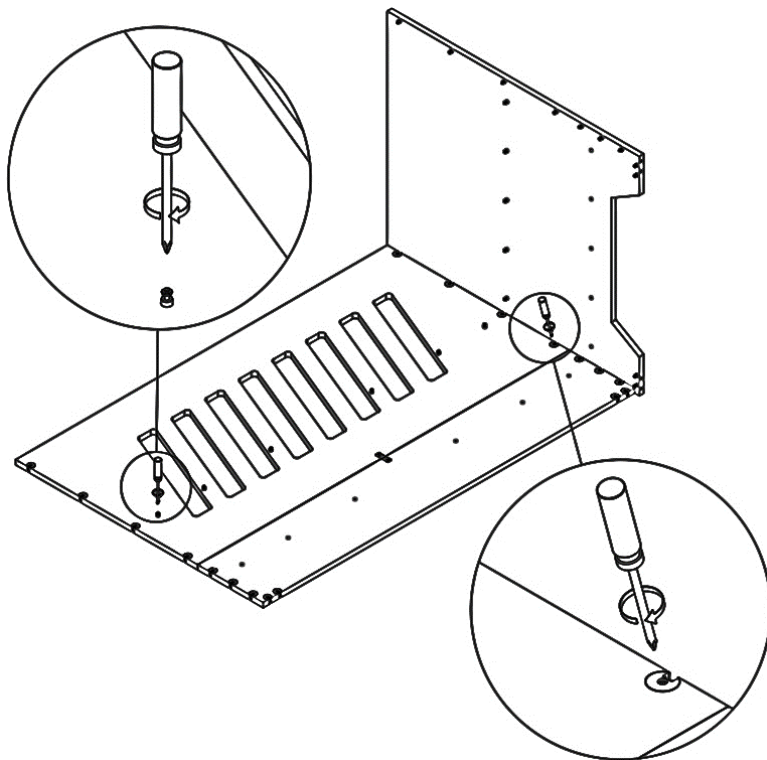
- Small parts can present choking hazard
- Always keep small parts out of reach of children
- We highly recommend when fastening all hardware by hand
- If using a cordless driver to set the speed to a slow setting and the clutch to a low setting
- This will prevent excessive tightening that may result in **DAMAGE** to your furniture.

Tools Required not included

Phillips Head Screwdriver



Step 1: Get one of the Bed ends **②**, one of the Cot sides **③** and one Toddler side rail **④**, put in connector dowels **Ⓑ** all the smallest hole 5mm \varnothing with your screwdriver as shown below. For cot position please put in top row of holes only. None in the toddler position.



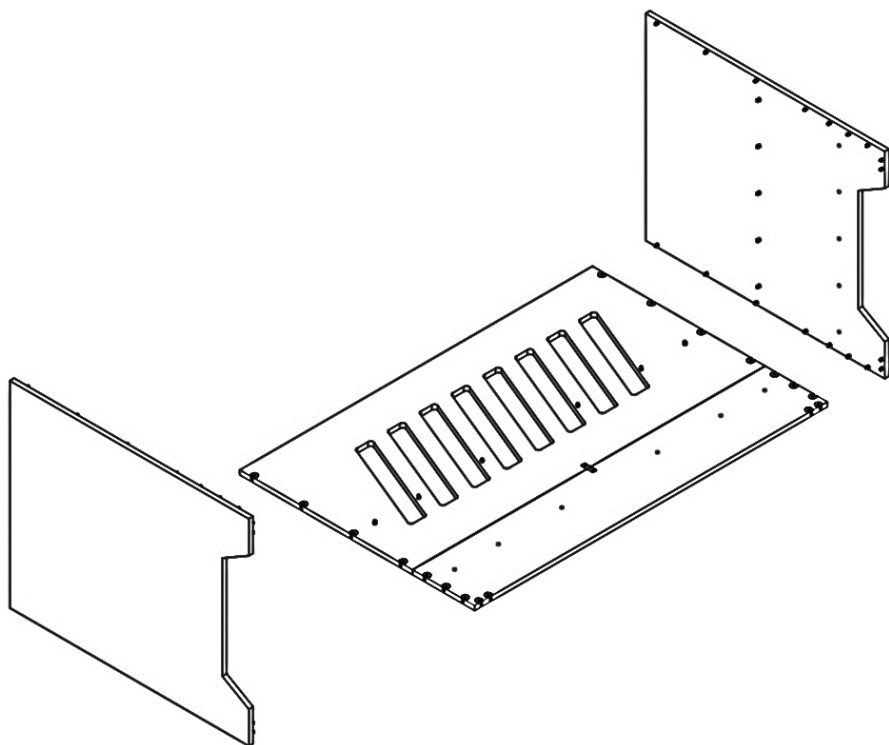
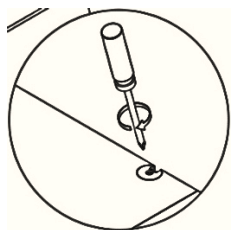
Connector Dowels **Ⓑ**



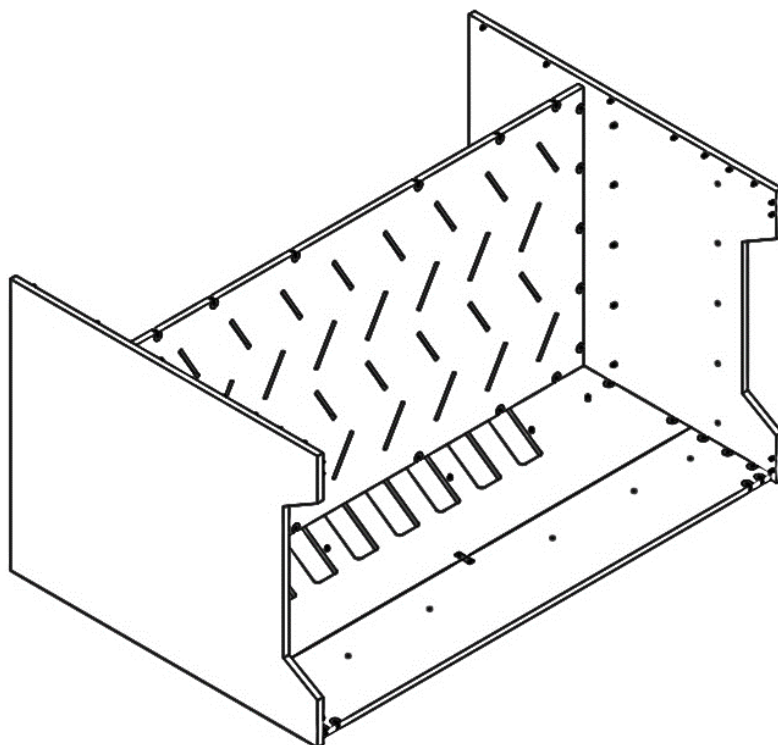
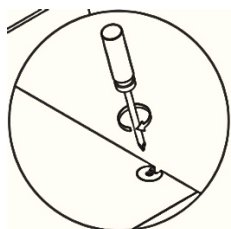
Kids Home Fashion P/L | ABN: 65 654 657 539 | Email: info@kidshomefashion.com

This document is a strictly confidential communication to and solely for the use of the recipient and may not be reproduced or circulated without Kids Home Fashion P/L prior written consent. If you are not the intended recipient, you may not disclose or use the information in this documentation in any way. Products carry Patent and Registered Designs Rights. Under Australian Provisional Application No. 2022901149, Australian Registered Design No. 202212515 and Australian Registered Design No. 202212516.

Step 2: Connect the other Bed end ② after insertion of the connector Dowels ⑥ into cams, (tighten all cams ④)



Step 3: Connect the mattress Base ① after insertion of the connector Dowels ⑥ into cams, (tighten all cams ④)

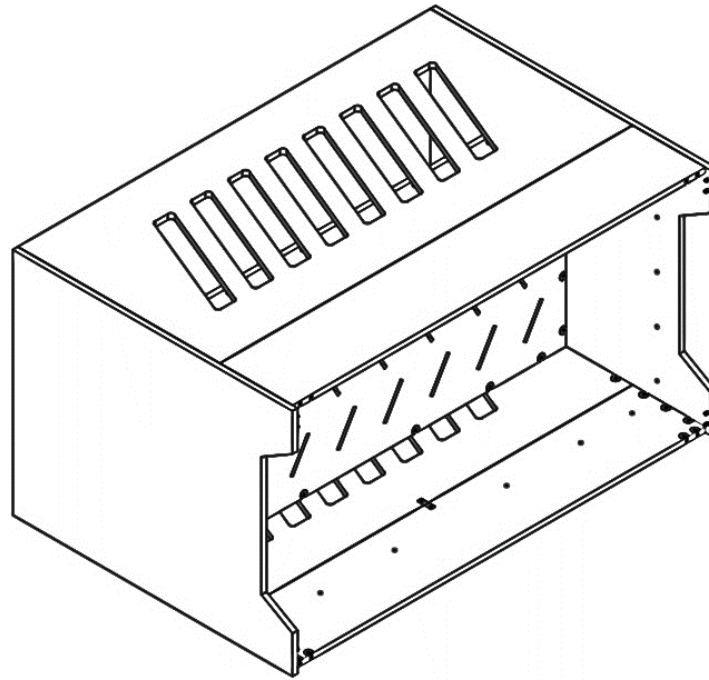
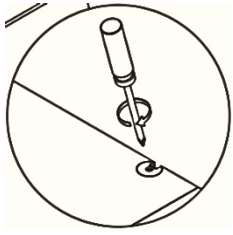


Kids Home Fashion P/L | ABN: 65 654 657 539 | Email: info@kidshomefashion.com

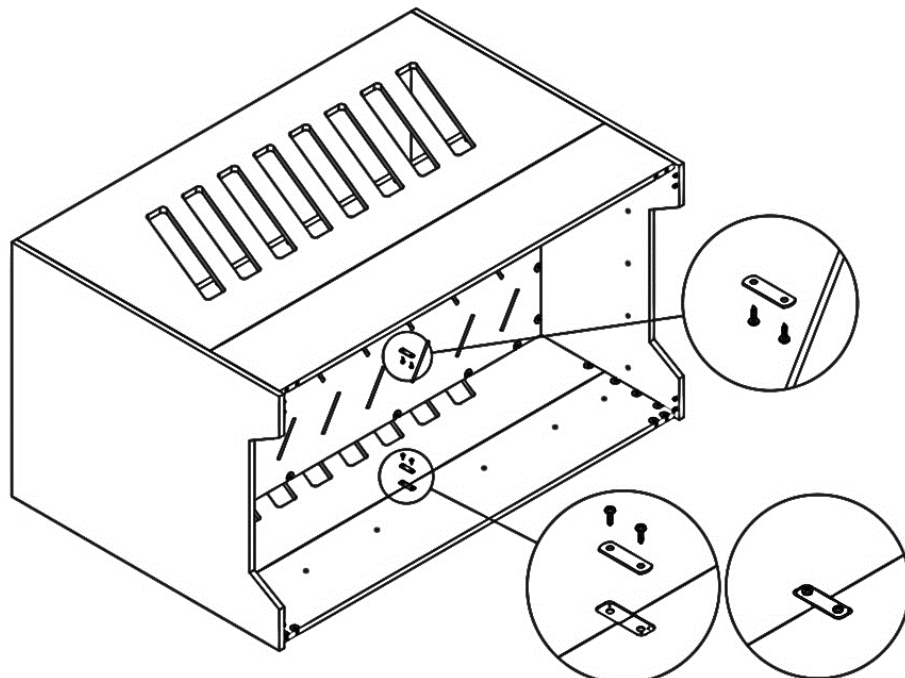
This document is a strictly confidential communication to and solely for the use of the recipient and may not be reproduced or circulated without Kids Home Fashion P/L prior written consent. If you are not the intended recipient, you may not disclose or use the information in this documentation in any way. Products carry Patent and Registered Designs Rights. Under Australian Provisional Application No. 2022901149, Australian Registered Design No. 202212515 and Australian Registered Design No. 202212516.

www.kidshomefashion.com

Step 4: Repeat with connecting the other Cot side and Toddler side rail, after insertion of the connector Dowels (B) into cams, (tighten all cams (A))



Step 5: Screw on both (D) Fixing Plate with (F) Pan Head screw.



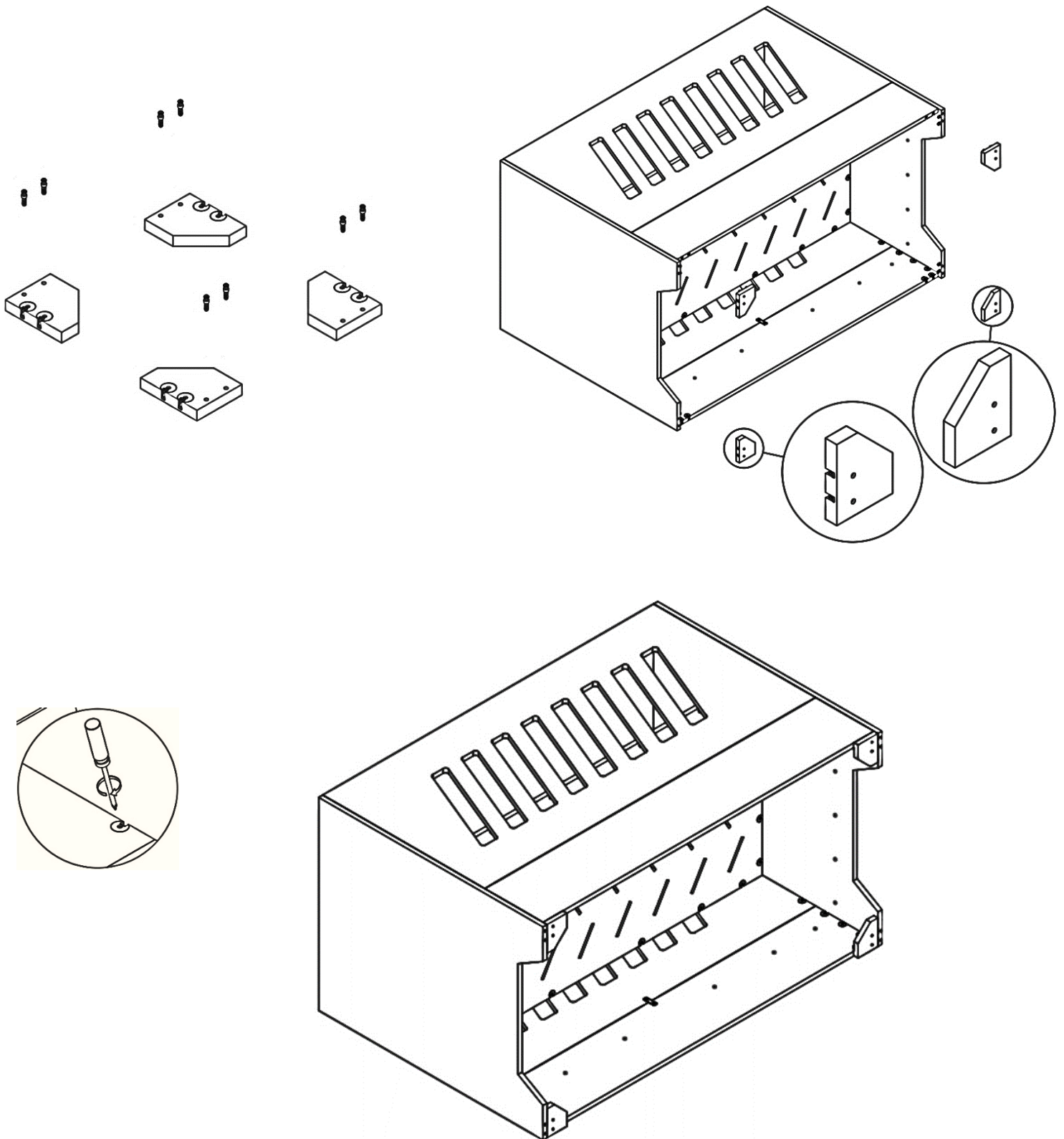
Kids Home Fashion P/L | ABN: 65 654 657 539 | Email: info@kidshomefashion.com

This document is a strictly confidential communication to and solely for the use of the recipient and may not be reproduced or circulated without Kids Home Fashion P/L prior written consent. If you are not the intended recipient, you may not disclose or use the information in this documentation in any way. Products carry Patent and Registered Designs Rights. Under Australian Provisional Application No. 2022901149, Australian Registered Design No. 202212515 and Australian Registered Design No. 202212516.

www.kidshomefashion.com

Step 6: Firstly, put in Connector Dowels x 8 (B) to Castor base plate

Attach (5) Cot & Toddler Castor Base Plates to Cot, after insertion of the connector Dowels (B) into cams, (tighten all cams (A))



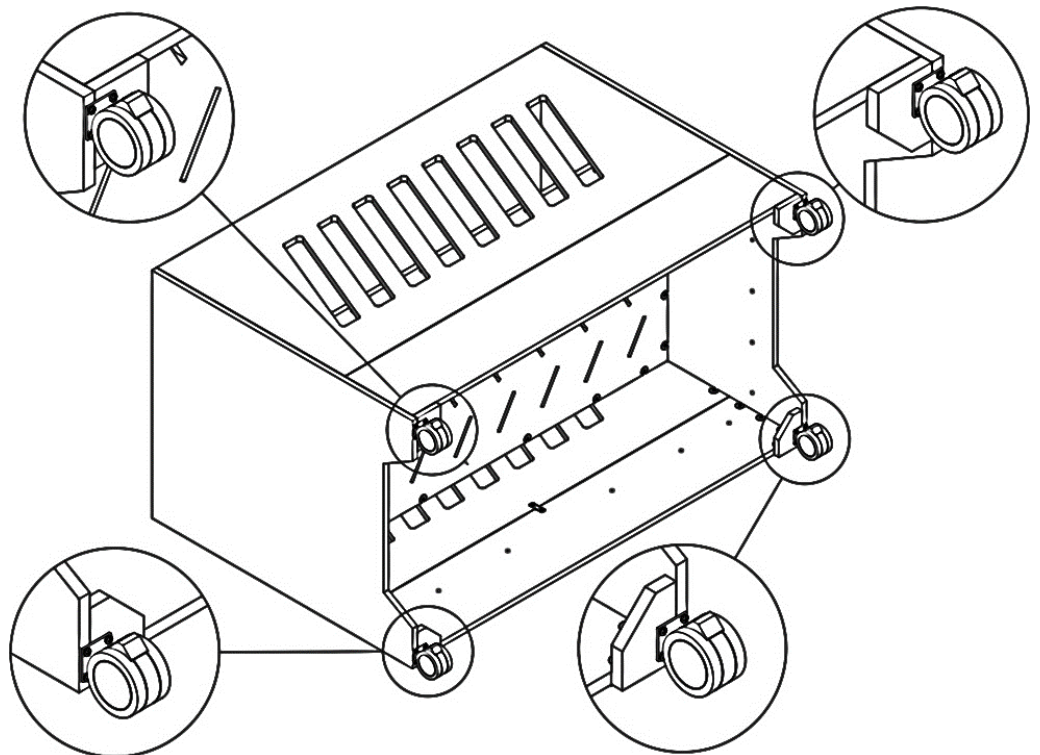
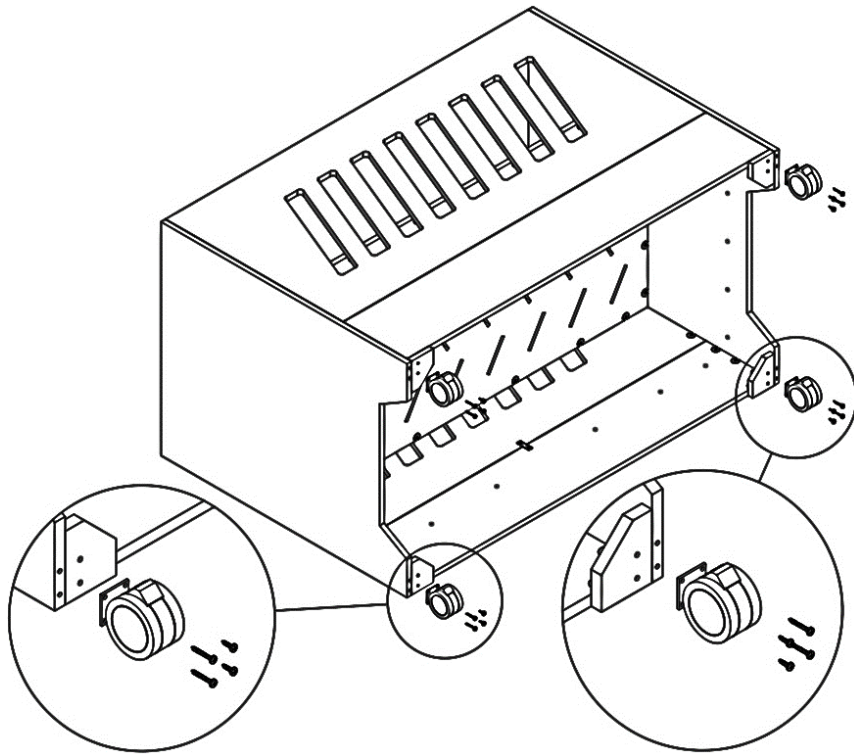
Kids Home Fashion P/L | ABN: 65 654 657 539 | Email: info@kidshomefashion.com

This document is a strictly confidential communication to and solely for the use of the recipient and may not be reproduced or circulated without Kids Home Fashion P/L prior written consent. If you are not the intended recipient, you may not disclose or use the information in this documentation in any way. Products carry Patent and Registered Designs Rights. Under Australian Provisional Application No. 2022901149, Australian Registered Design No. 202212515 and Australian Registered Design No. 202212516.

www.kidshomefashion.com

Step 7: Final step is to attach the castors to the base plates with screwdriver using

Ⓔ Pan Head screw 50mm x 8 Ⓕ Flat Head M4 screw 22mm x 8 Ⓖ Lock Nut Nylon M4 x 8 go in the through hole on the base plate. Tools needed: you need a pair of pliers to hold the Nylon lock nut while you tighten the screw.

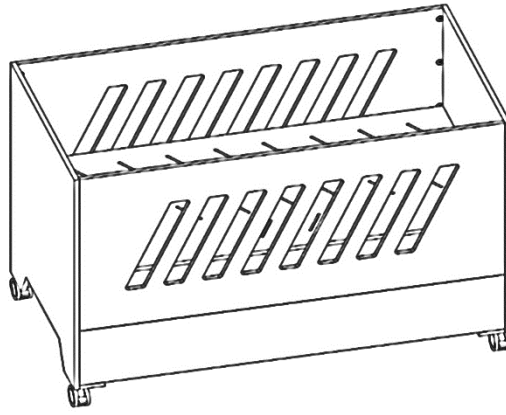


Kids Home Fashion P/L | ABN: 65 654 657 539 | Email: info@kidshomefashion.com

This document is a strictly confidential communication to and solely for the use of the recipient and may not be reproduced or circulated without Kids Home Fashion P/L prior written consent. If you are not the intended recipient, you may not disclose or use the information in this documentation in any way. Products carry Patent and Registered Designs Rights. Under Australian Provisional Application No. 2022901149, Australian Registered Design No. 202212515 and Australian Registered Design No. 202212516.

www.kidshomefashion.com

Well Done!!! your cot is now completed.

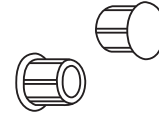


Optional



Qty: 16

Cam cover caps white place in **(A)**- Plastic Cams 20mm

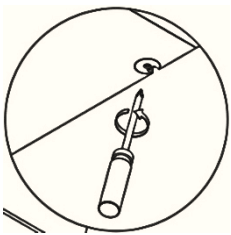
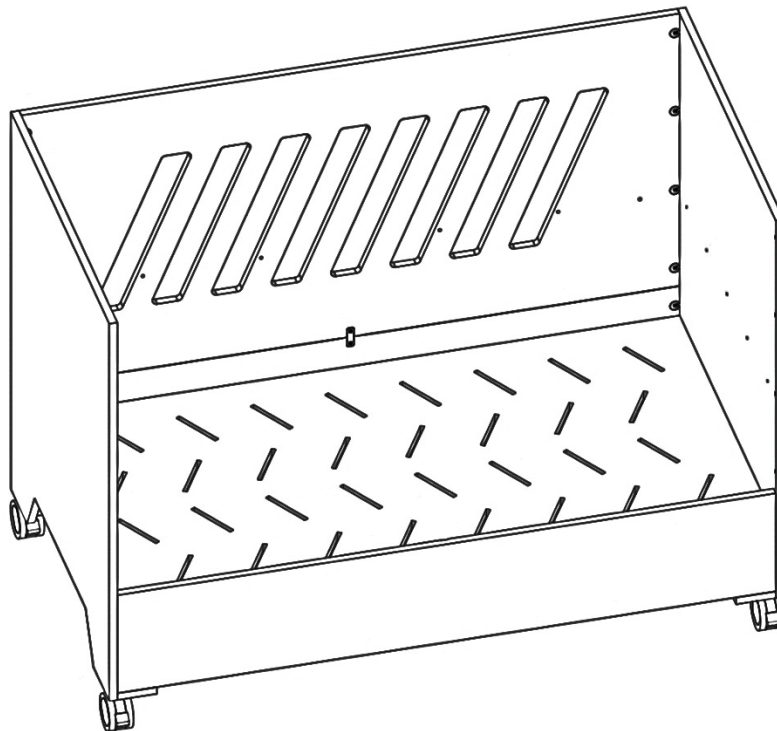


Qty: 34

Cover Caps white for blind Holes 5mm Ø

Small parts can present choking hazard

Toddler Bed Set up.



Take one Cot side off or both sides off, by releasing the Cams **(A)** anti-close wise. Then lower the mattress base to the Toddler bed row of holes position and tighten when in position. Insert white cover cap for 5mm Ø in cot position holes.



Kids Home Fashion P/L | ABN: 65 654 657 539 | Email: info@kidshomefashion.com

This document is a strictly confidential communication to and solely for the use of the recipient and may not be reproduced or circulated without Kids Home Fashion P/L prior written consent. If you are not the intended recipient, you may not disclose or use the information in this documentation in any way. Products carry Patent and Registered Designs Rights. Under Australian Provisional Application No. 2022901149, Australian Registered Design No. 202212515 and Australian Registered Design No. 202212516.

www.kidshomefashion.com

Warranty:



Kids Home Fashion Pty Ltd Australia warrants the original purchaser of Kids Home Fashion Pty Ltd Furniture against manufacturing defects for as long as the original purchaser owns the product.

This limited 5 Years warranty applies to all Furniture sold by Kids Home Fashion Pty Ltd. This warranty is limited to consumers of our products who register their products or have proof of purchase.

Our goods come with guarantees that cannot be excluded under the Australian Consumer Law. You are entitled to a replacement or refund for a major failure and for compensation for any other foreseeable loss or damage. You are entitled to have goods repaired or replaced if the goods fail to be of acceptable quality and the failure does not amount to a major failure. The benefits provided to the purchaser under this warranty are in addition to any other rights or remedies you may have, as a consumer, under any other law which applies to our products.

Kids Home Fashion Pty Ltd will provide replacement products for the faulty hardware and faulty individual components sold by Kids Home Fashion Pty Ltd. If the hardware and faulty individual components is faulty, Kids Home Fashion Pty Ltd will send the original purchaser replacement hardware and faulty individual components. Kids Home Fashion Pty Ltd does not warrant products which have been incorrectly assembled, exposed to loads more than specifications, abused, or used for purposes other than that for which they are intended. Kids Home Fashion Pty Ltd will not be liable for any consequential or incidental damages resulting from or contributed to by the use, installation, performance, or failure of our products.

To make a claim, contact Kids Home Fashion Pty Ltd Customer Service on email info@kidshomefashion.com Our customer service team will require proof of purchase (typically this will be a receipt) and evidence of the fault (for example, a photo of the fault of the relevant product).

Congratulations once again on your new Baby Furniture. We hope it meets your expectations and is a place where you create great memories with child. We appreciate that Kids Home Fashion Pty Ltd products has been included in this instance and hope that your experience using it will lead you to decide to select Kids Home Fashion in any future children. To register your Kids Home Fashion Pty Ltd products please visit www.kidshomefashion.com

Note: The advantages of PVC Foam Board which your product is made from:



Kids Home Fashion P/L | ABN: 65 654 657 539 | Email: info@kidshomefashion.com

This document is a strictly confidential communication to and solely for the use of the recipient and may not be reproduced or circulated without Kids Home Fashion P/L prior written consent. If you are not the intended recipient, you may not disclose or use the information in this documentation in any way. Products carry Patent and Registered Designs Rights. Under Australian Provisional Application No. 2022901149, Australian Registered Design No. 202212515 and Australian Registered Design No. 202212516.

www.kidshomefashion.com



Kids Home Fashion P/L | ABN: 65 654 657 539 | Email: info@kidshomefashion.com

This document is a strictly confidential communication to and solely for the use of the recipient and may not be reproduced or circulated without Kids Home Fashion P/L prior written consent. If you are not the intended recipient, you may not disclose or use the information in this documentation in any way. Products carry Patent and Registered Designs Rights. Under Australian Provisional Application No. 2022901149, Australian Registered Design No. 202212515 and Australian Registered Design No. 202212516.

www.kidshomefashion.com